

# Boreal Elégance PRO 6

## Notice d'installation



# Modèle Boreal Elegance-PRO-6

2000x2000x2000mm

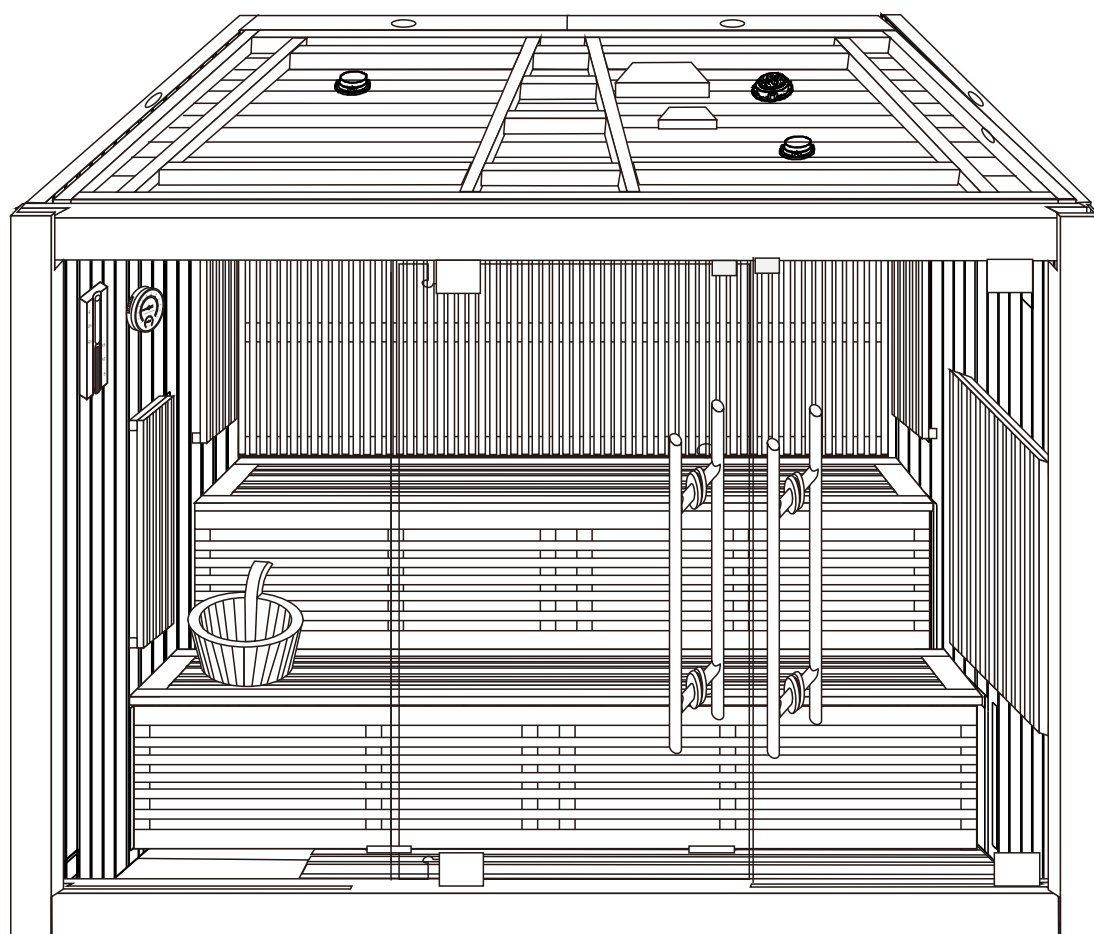
Tension nominale: AC220V-240V/AC380V

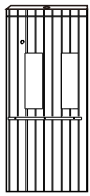

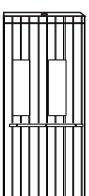

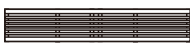
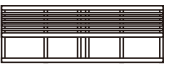
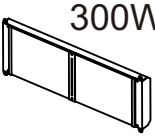
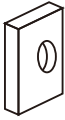





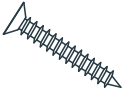


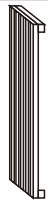

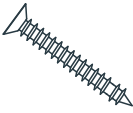
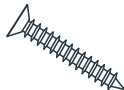




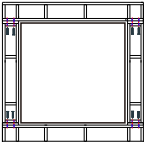
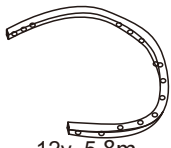

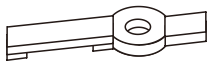
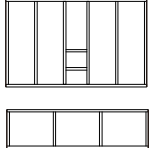
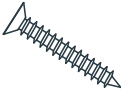

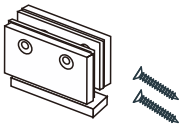
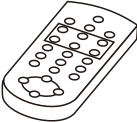
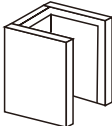

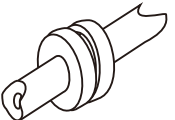







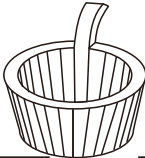
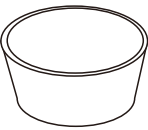
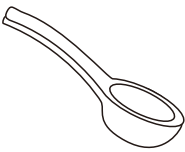


Puissance: 4600 W

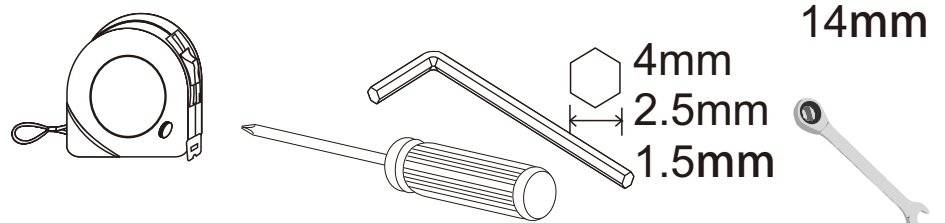
Courant nominal : 21A(AC220V)  
12.1A(AC380V)

Fréquence: 50Hz

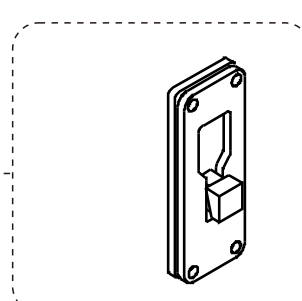
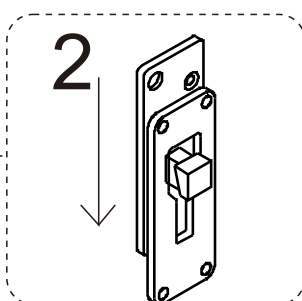
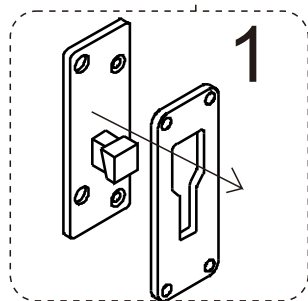
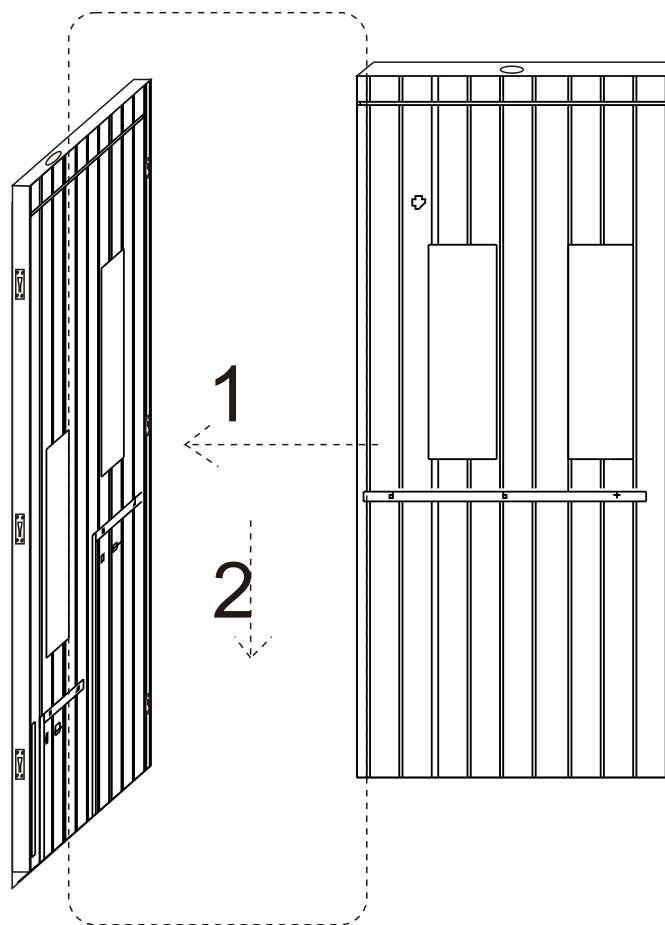
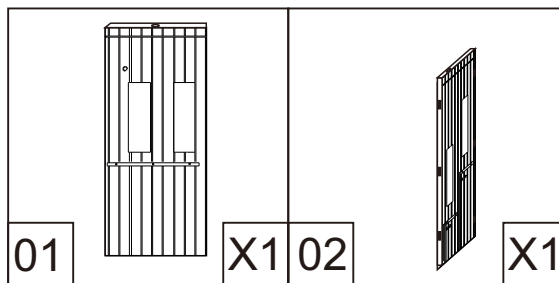
Résistance isolée : >20M $\Omega$



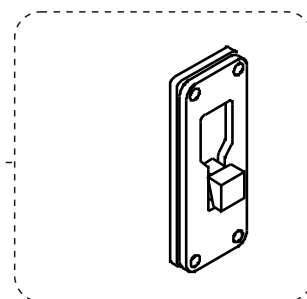
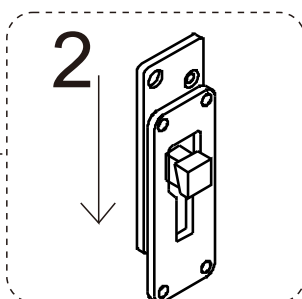
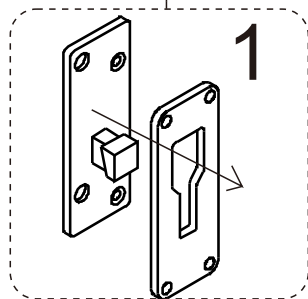
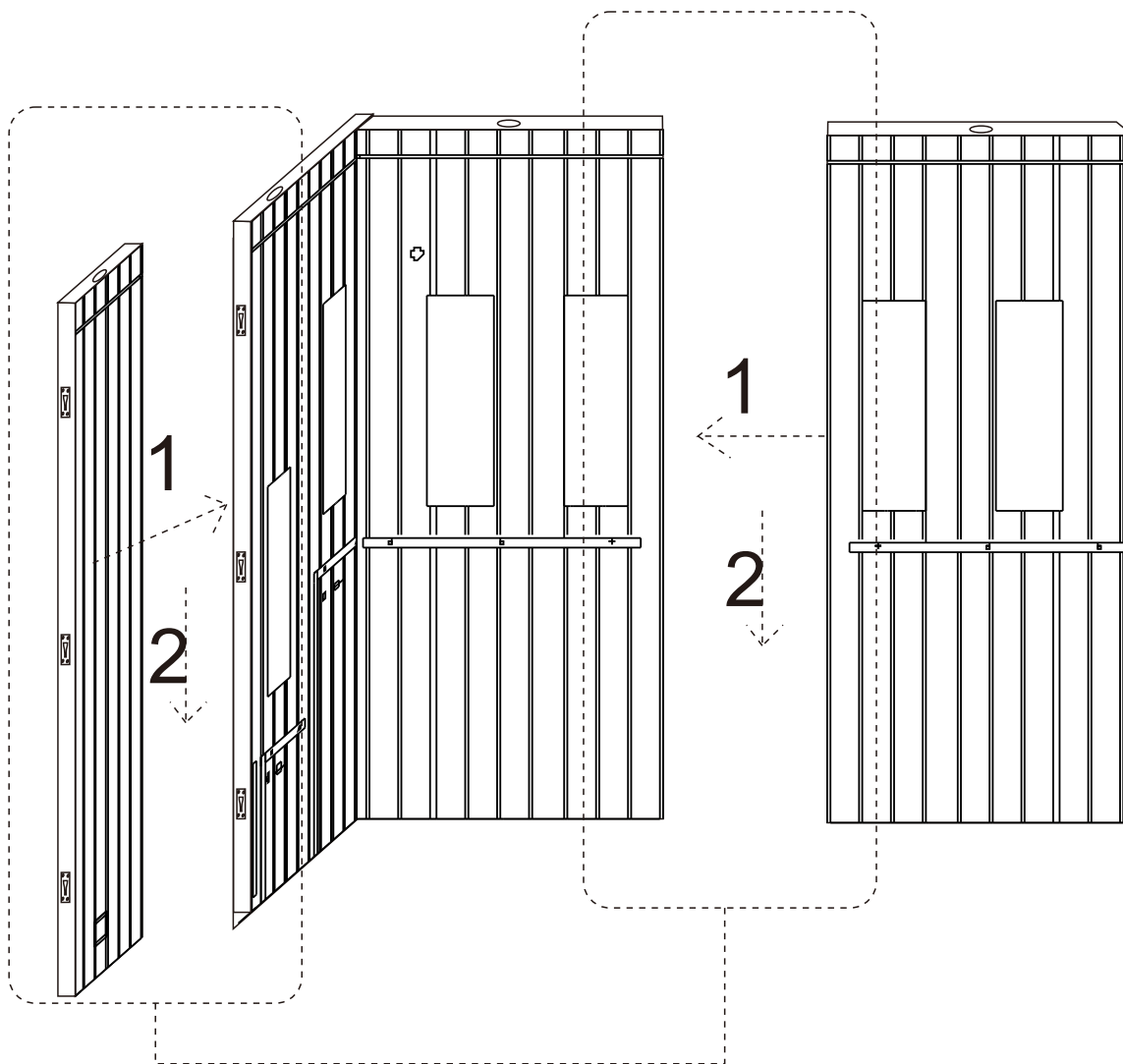
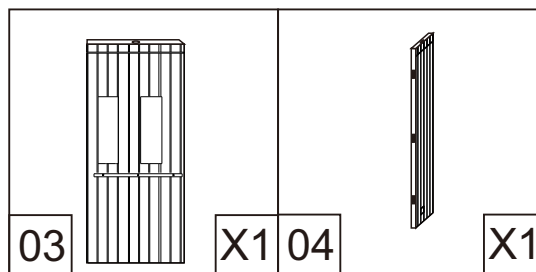
											
01	X1	02	X1	03	X1	04	X1	05	X1	06	X1
											
07	X2	08	X16	09	X16	10	X2	11	X1	12	X2
											
13	X1	14	X10	15	X1	16	X1	17	X3	18	X1
											
19	X18	20	X20	21	X2	22	X1	23	X1	24	X1
											
25	X1	26	12v 5.8m X16	27	X32	28	X32	29	X10	30	X28
											
31	X2	32	X4	33	X1	34	X2	35	X4	36	X4
											
37	X2	38	X1	39	X1	40	X1	41	ø8 X10	42	ø10 X3
											
43	X13	44	X1	45	X1	46	X1	47	X1	48	X1



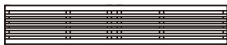
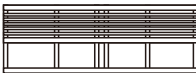
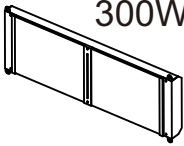
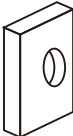
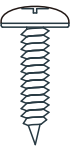
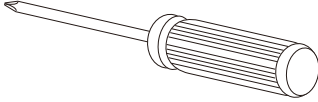
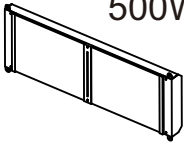
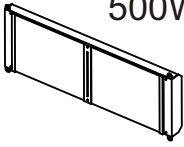
# Etape 1

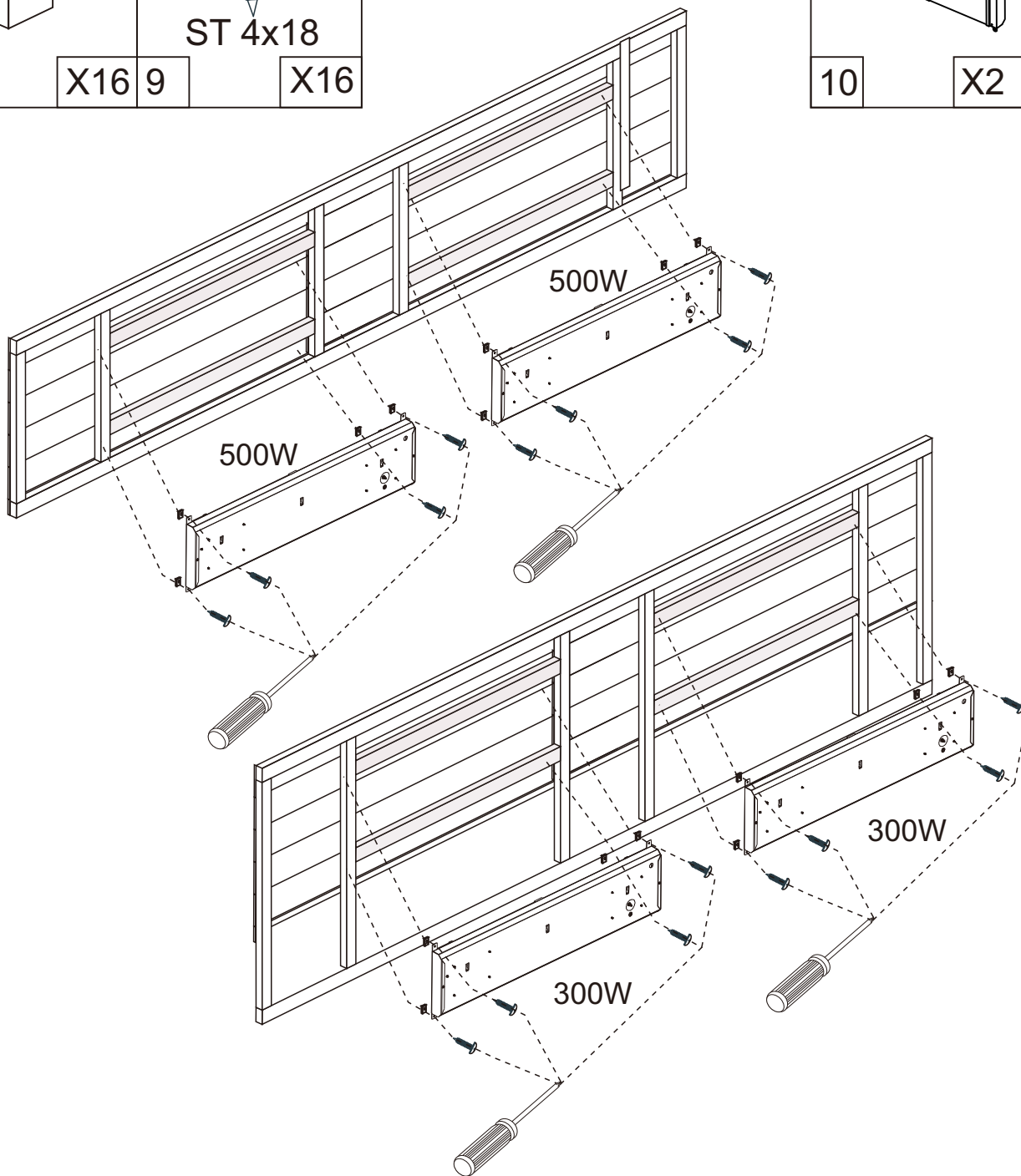


# Etape 2

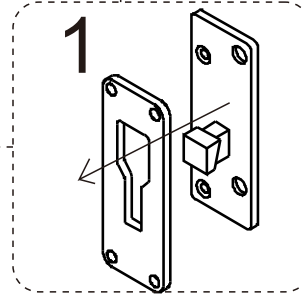
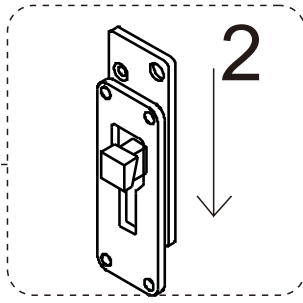
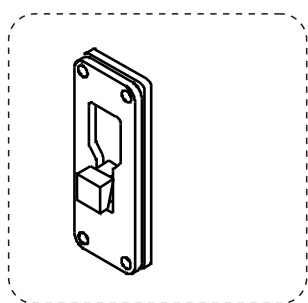
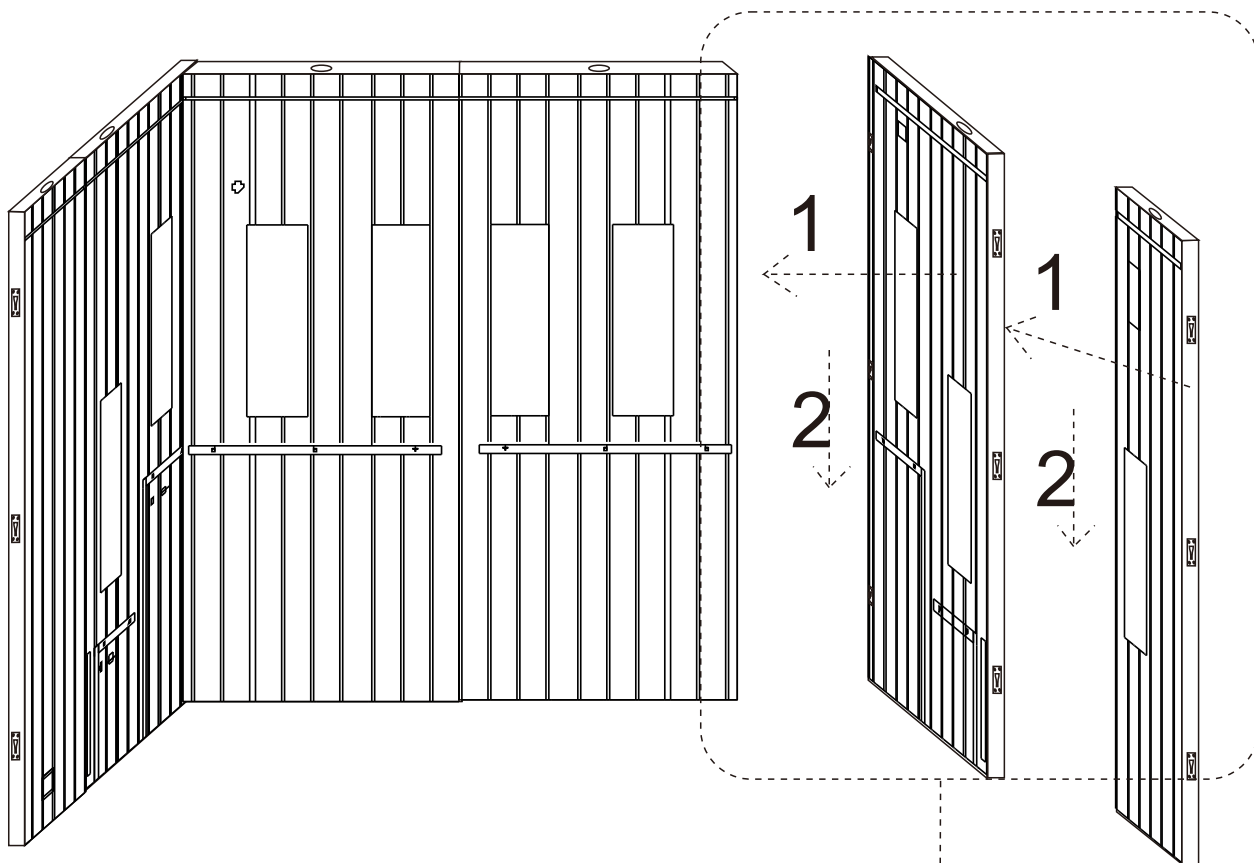
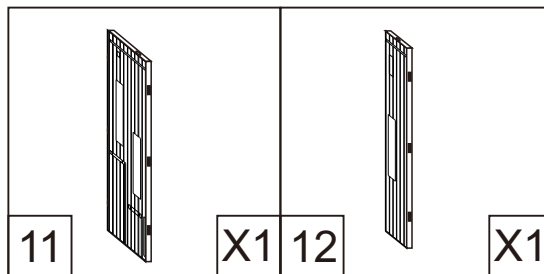


# Etape 3

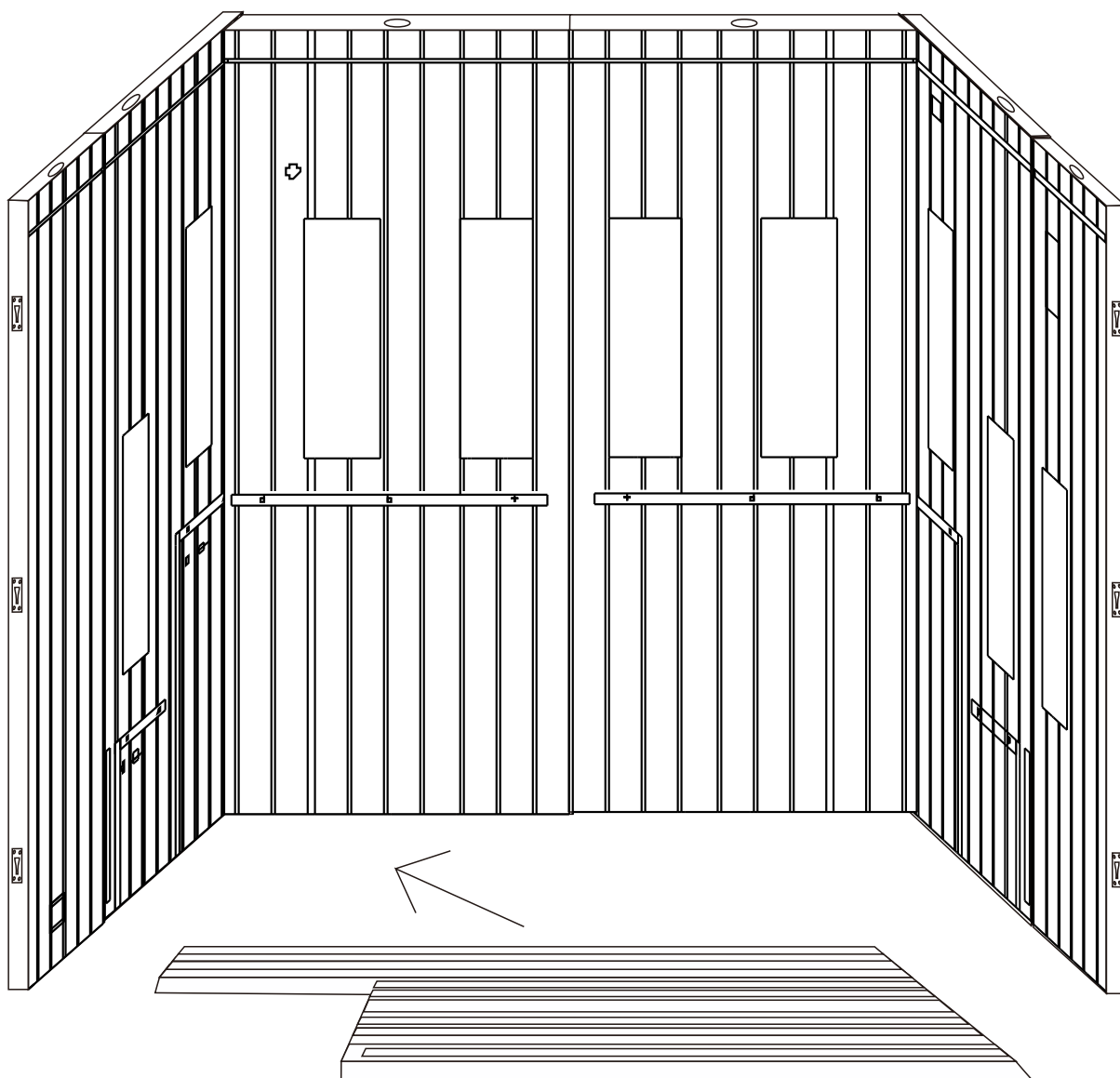
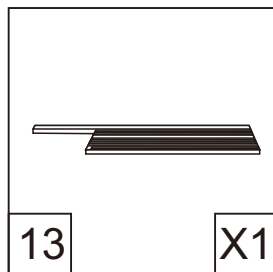
			
5	X16	X17	X2
	 ST 4x18		
8	X16	9	X16
			
			10
			X2



# Etape 4

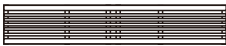
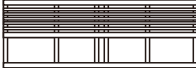
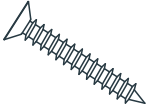


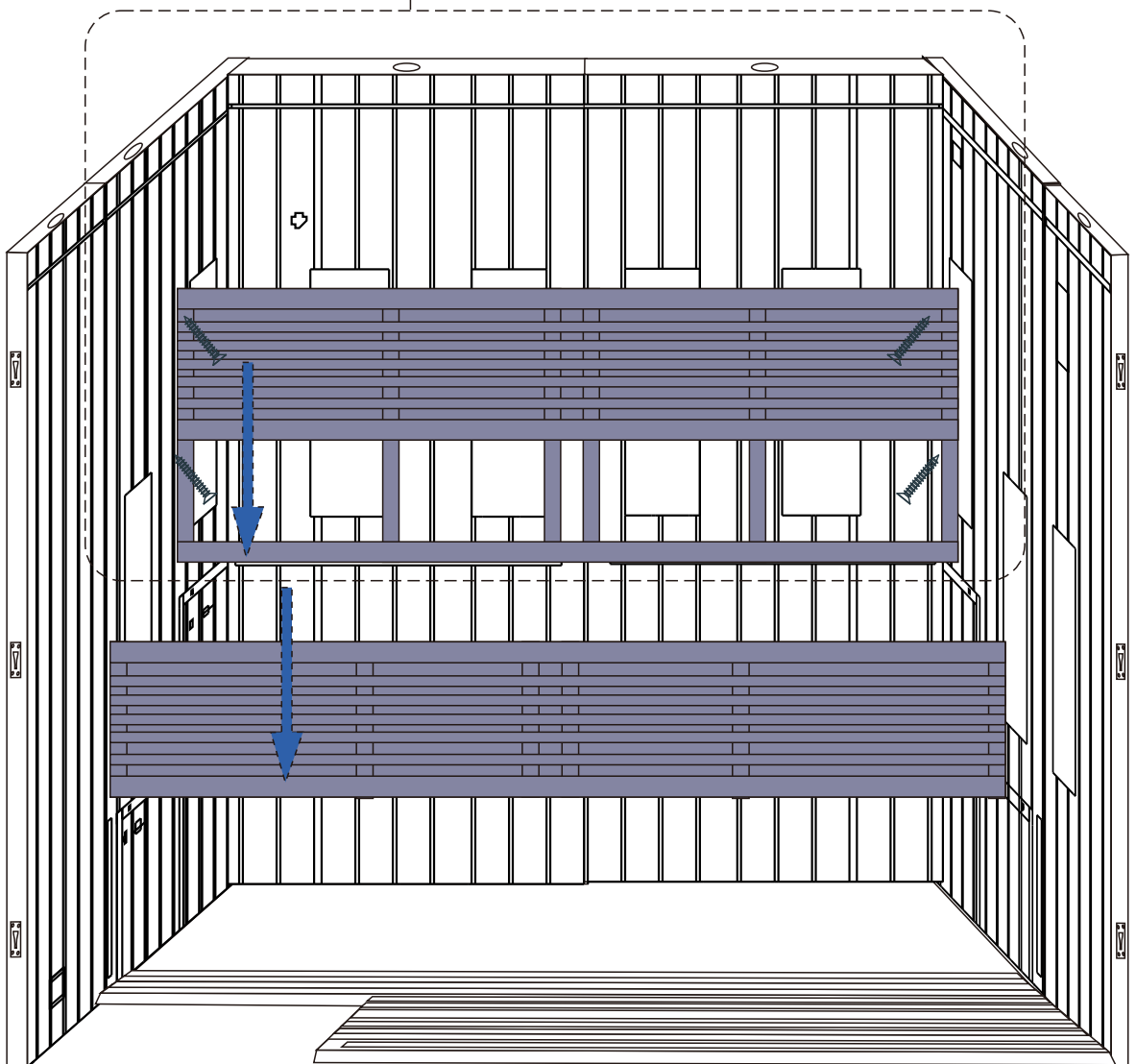
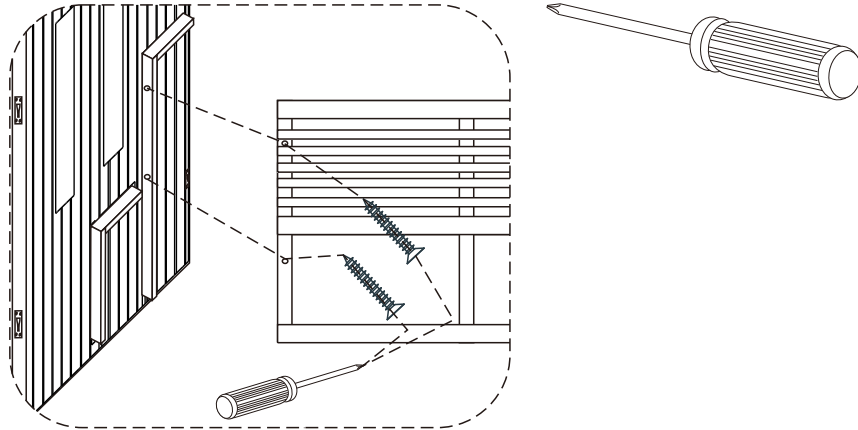
# Etape 5





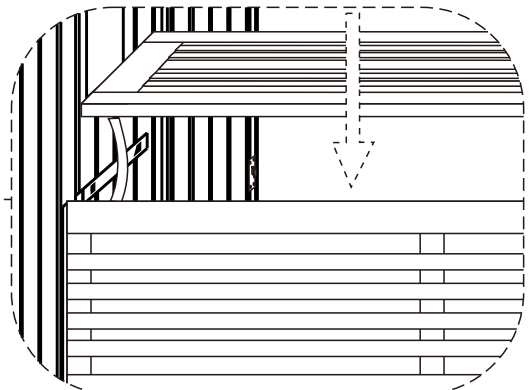
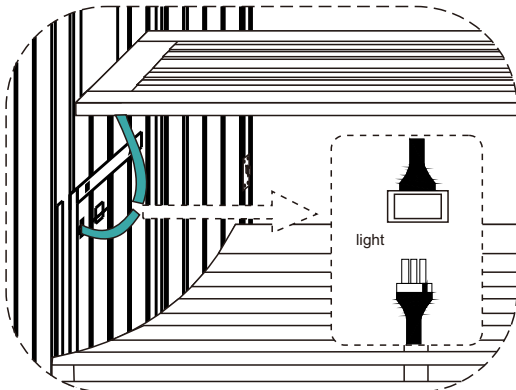
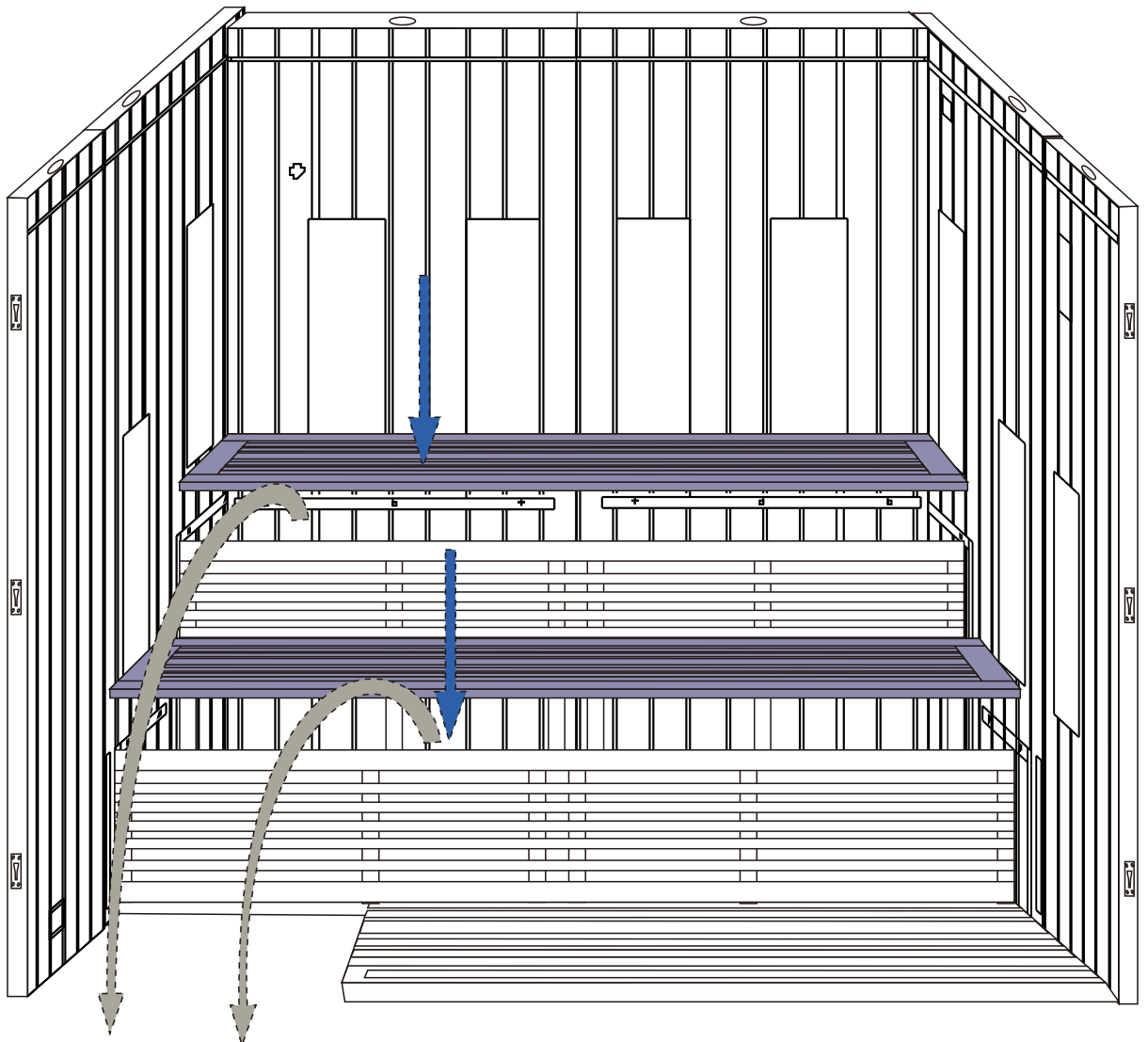
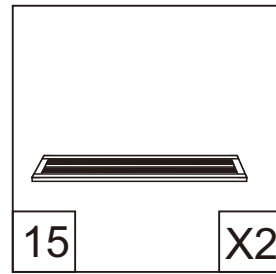
# Etape 6

		 ST 4x30	
5	X1 6	X1 43	X4


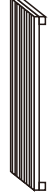

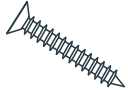





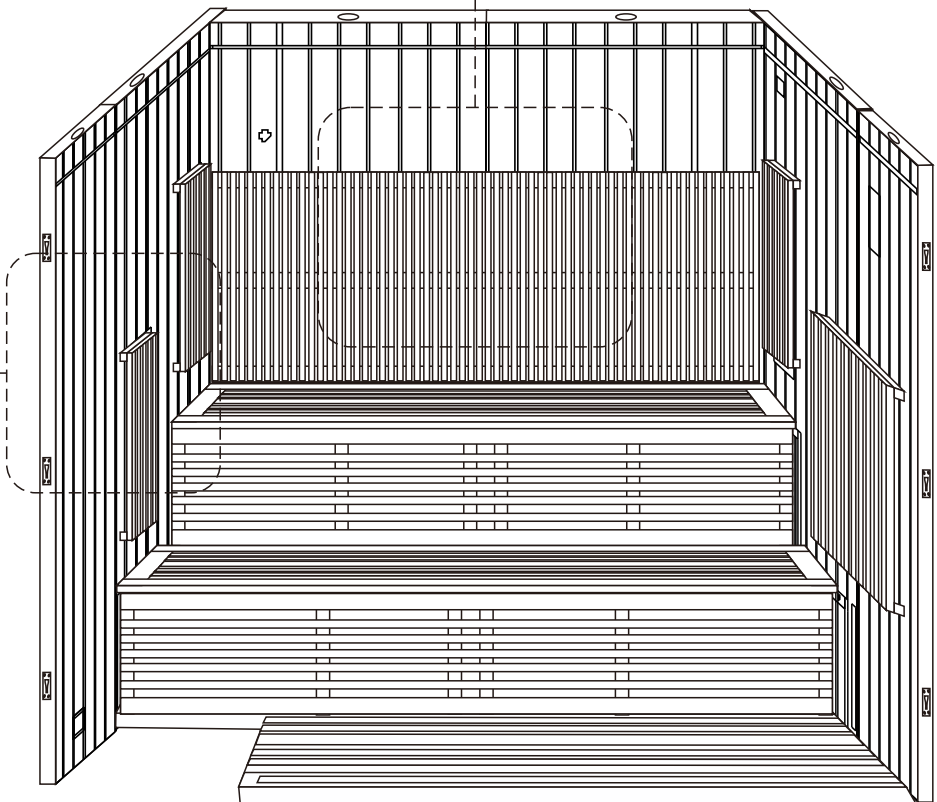
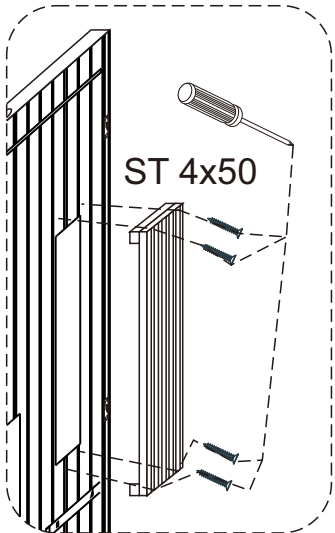
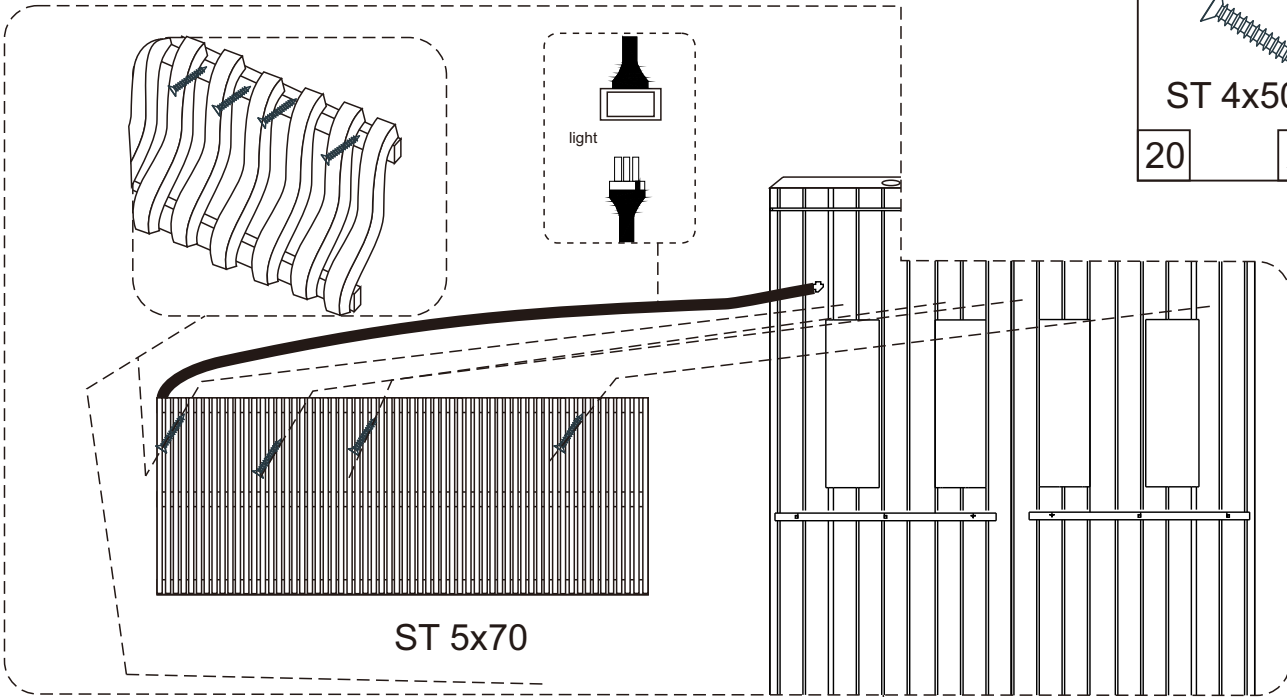
# Etape 8



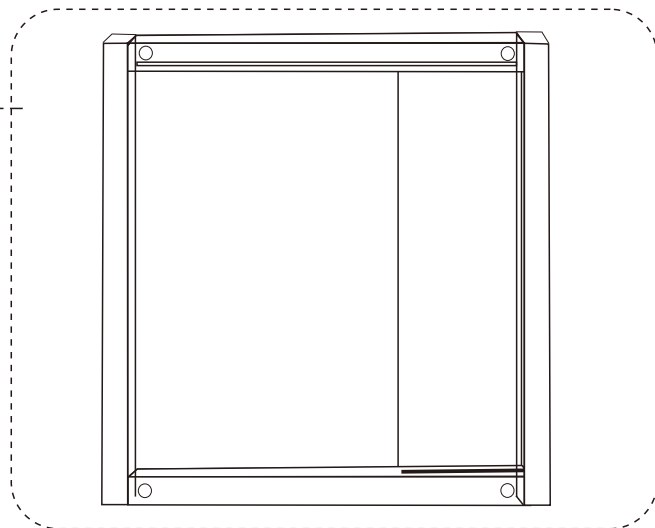
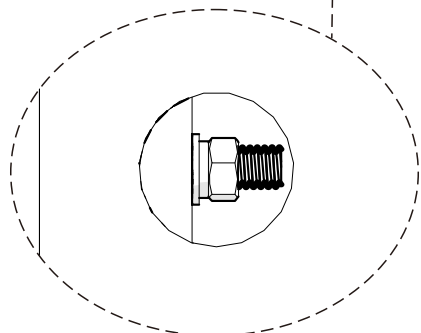
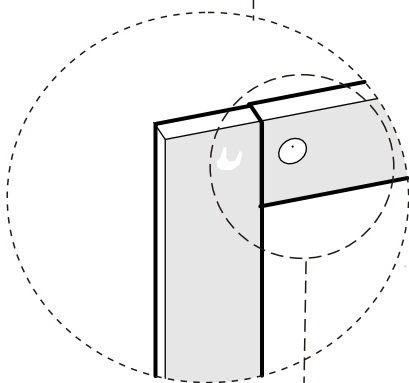
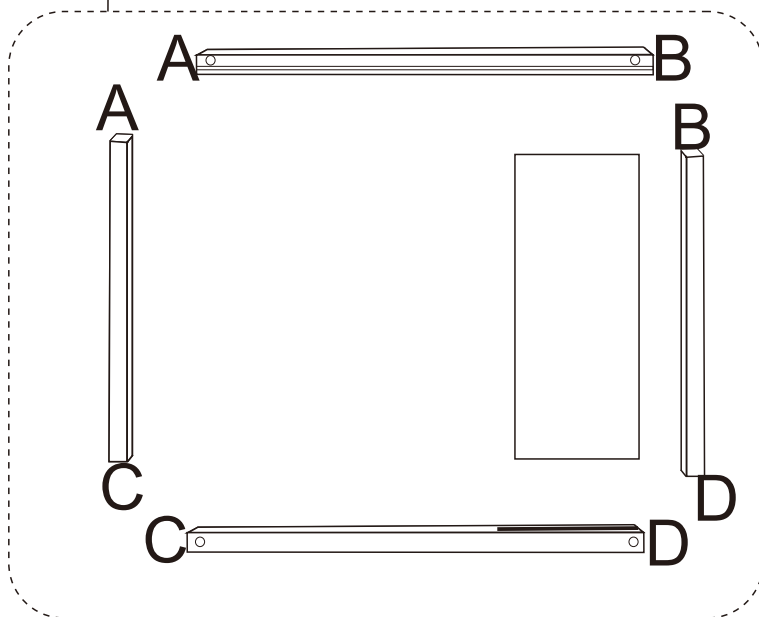
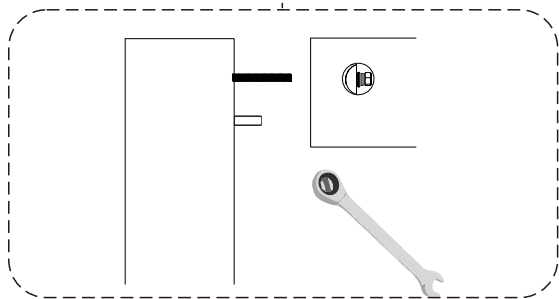
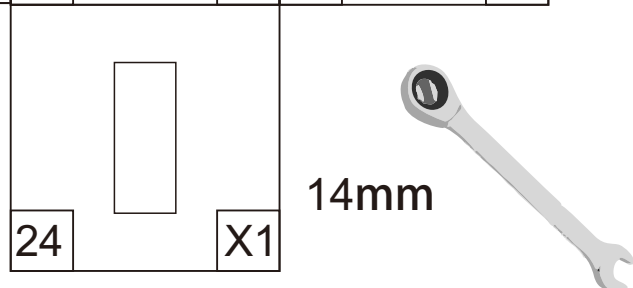
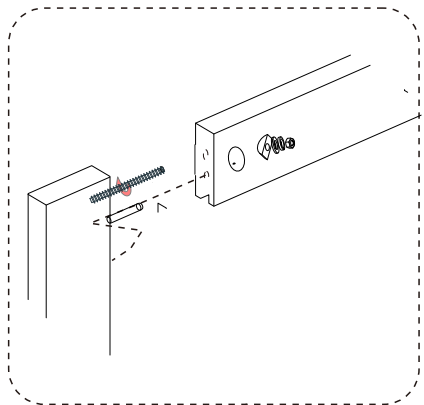
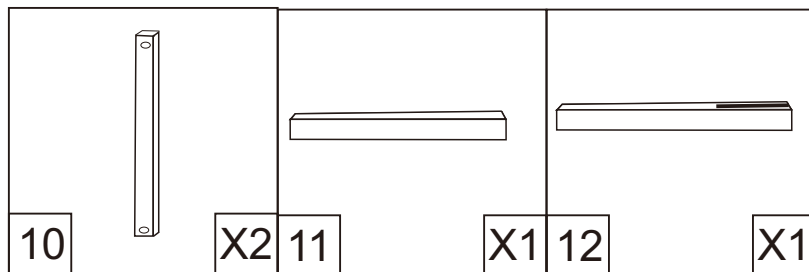
# Etape 9

			
16	X1 17	X3 18	X1 19
			ST 5x70
			X4

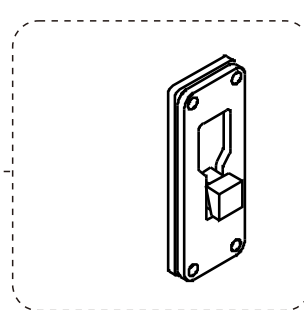
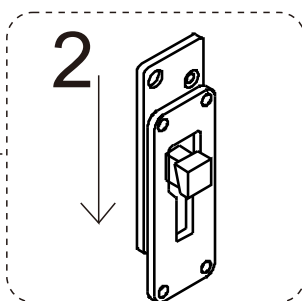
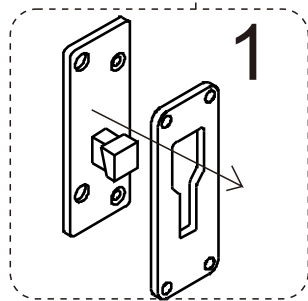
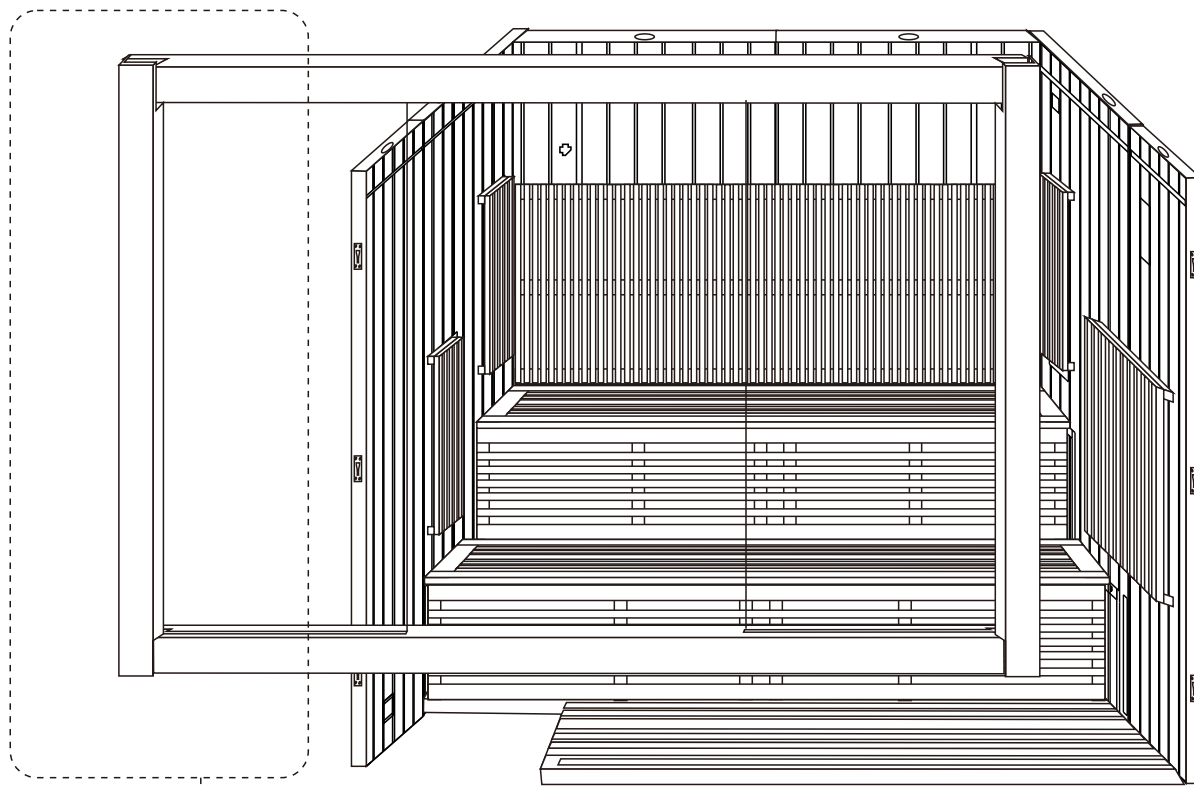

ST 4x50
20
X20



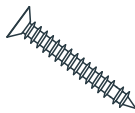
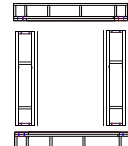
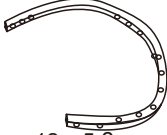

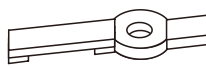
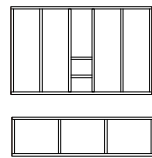
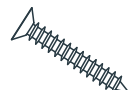
# Etape 10

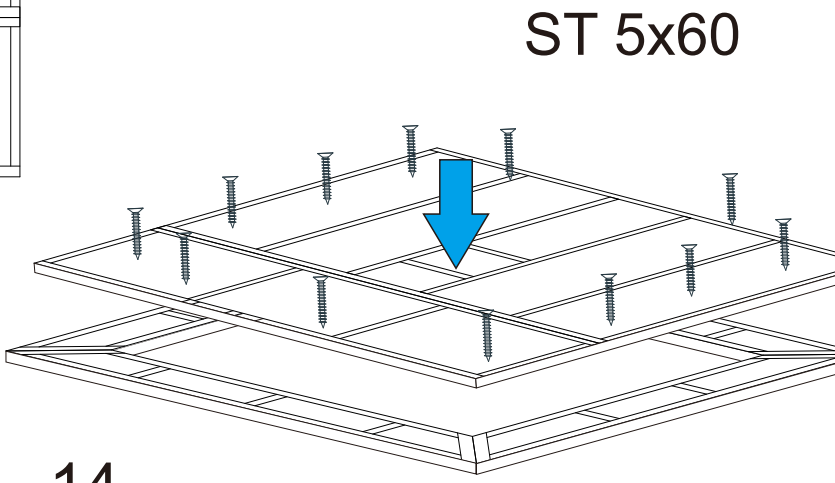
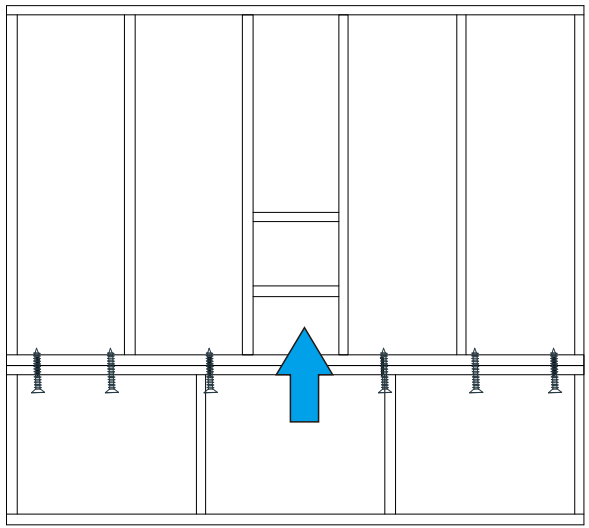
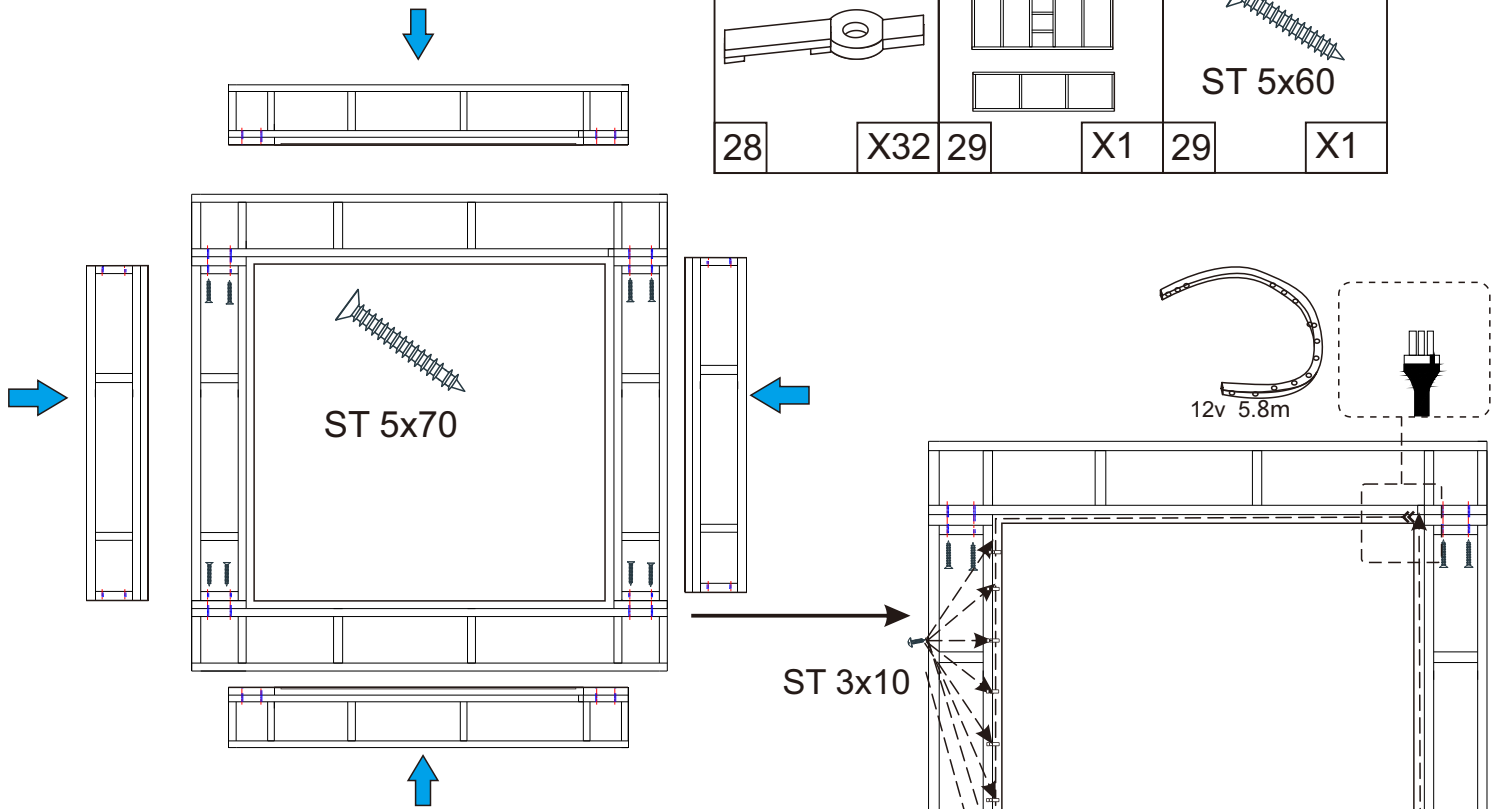


# Etape 11



# Etape 12

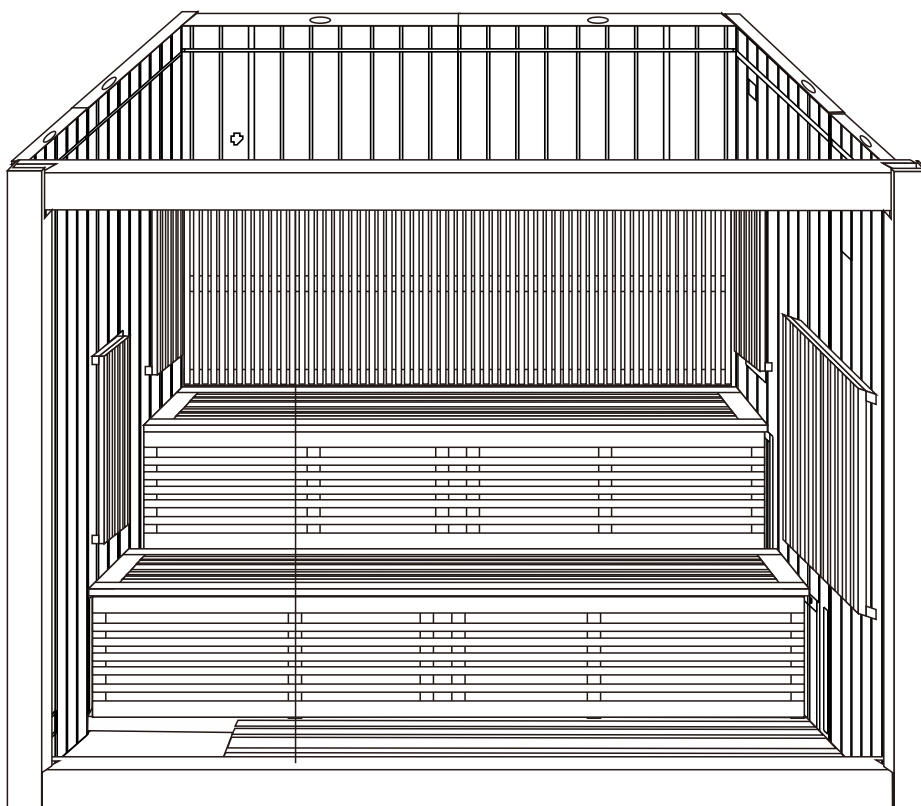
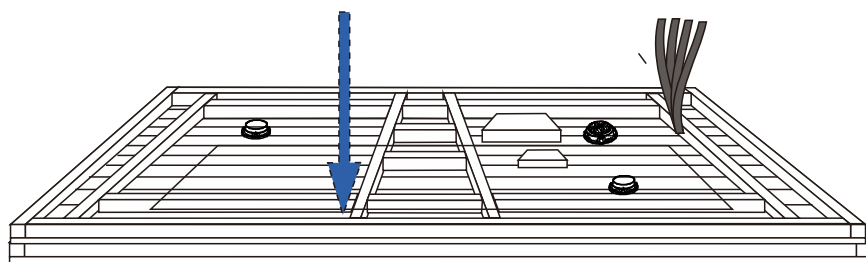
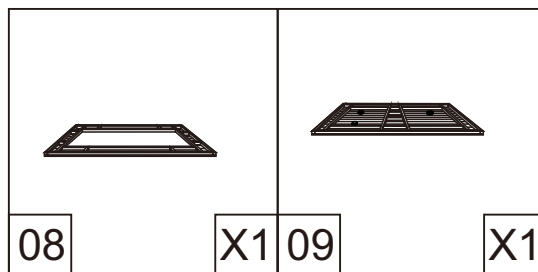
 ST 5x70	 25	 12v 5.8m	 ST 3x10
19	X14	X1	27
 28	 29	 ST 5x60	
X32	X1	X1	X32



ST 5x70

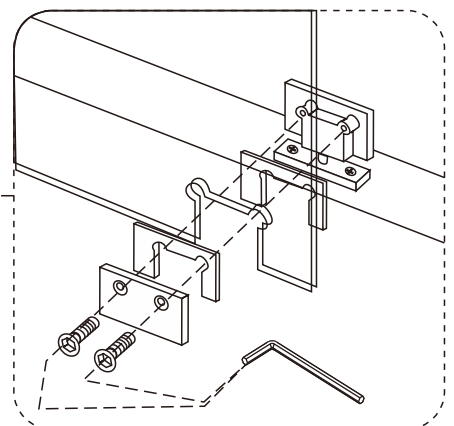
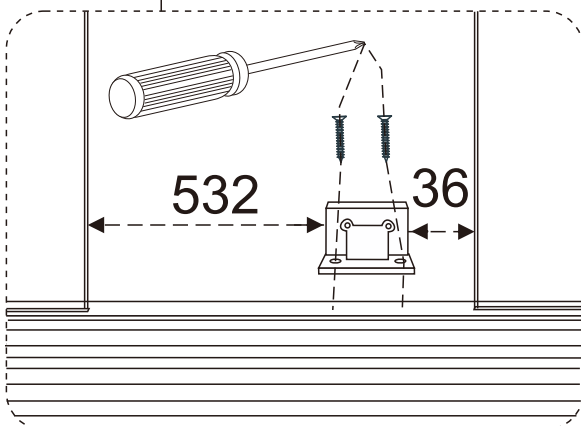
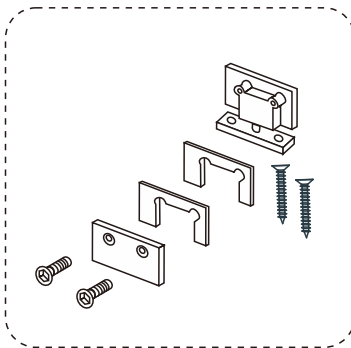
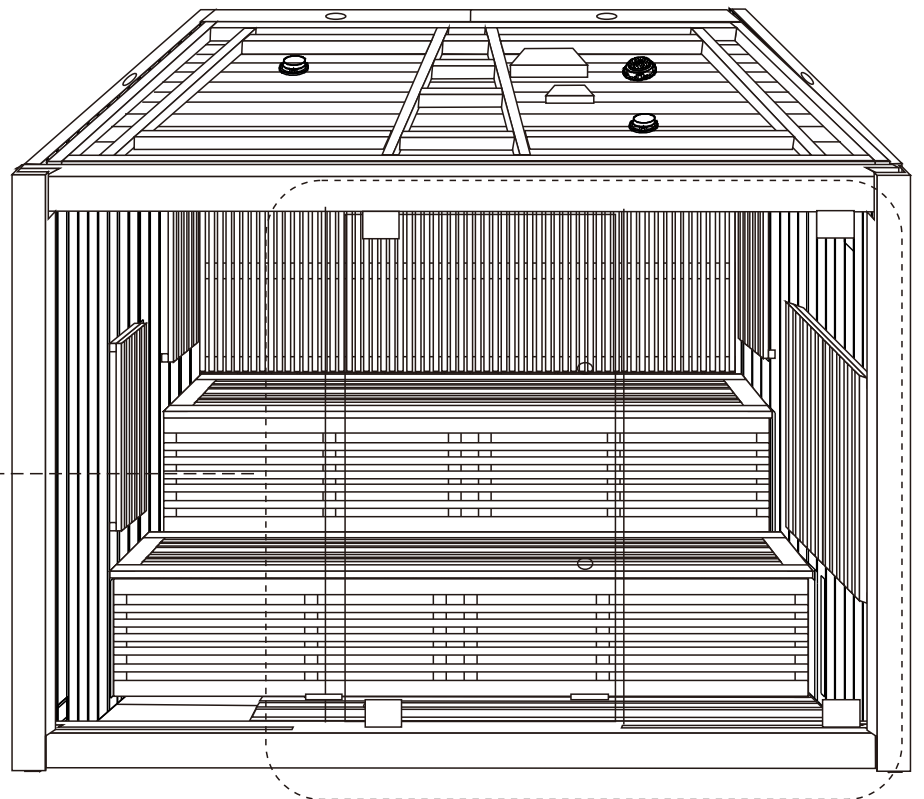
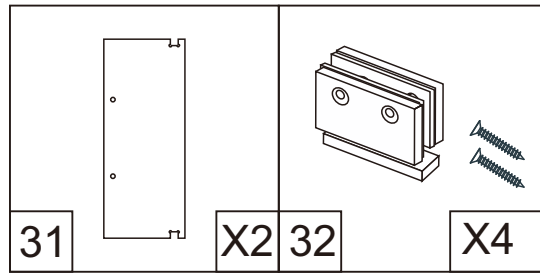
ST 5x60

# Etape 12

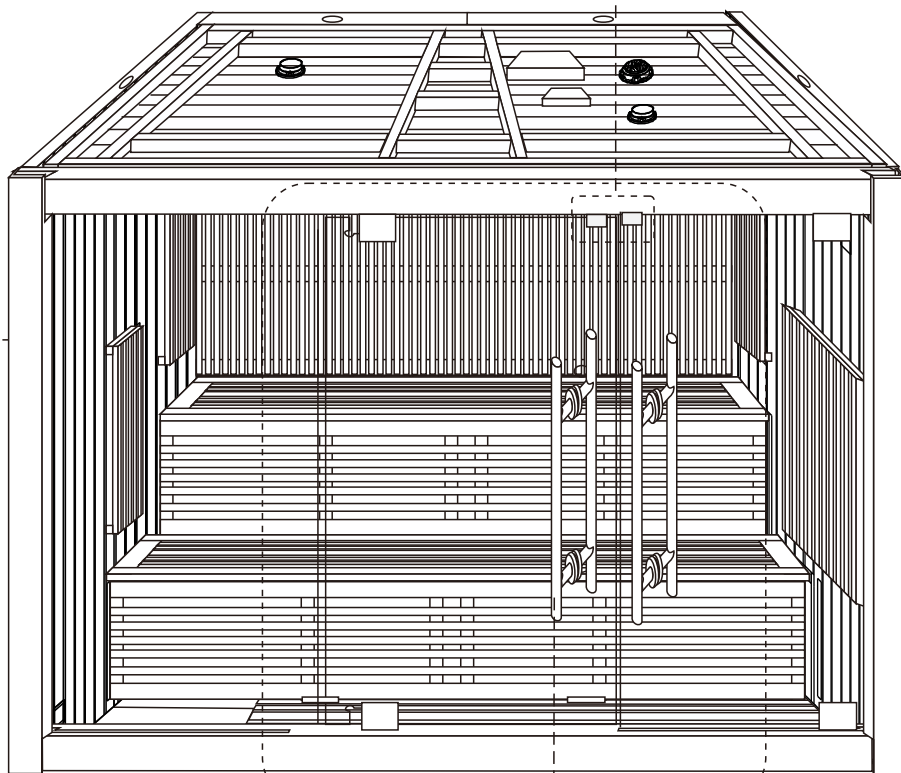
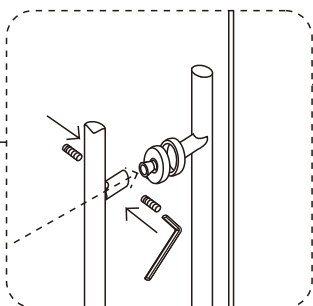
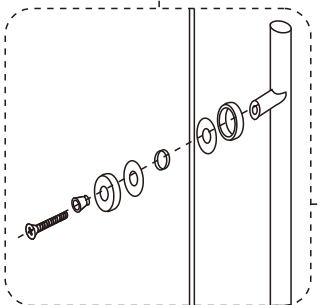
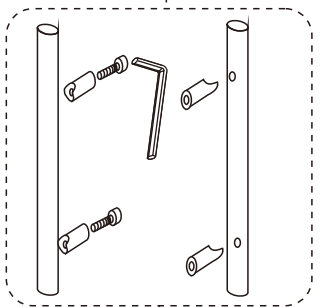
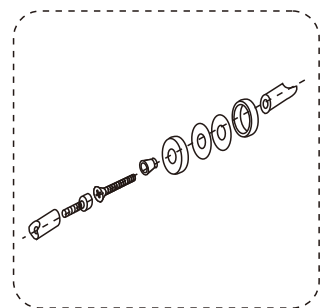
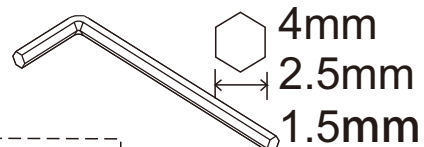
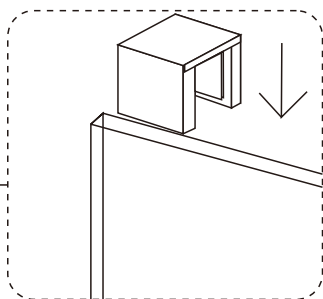
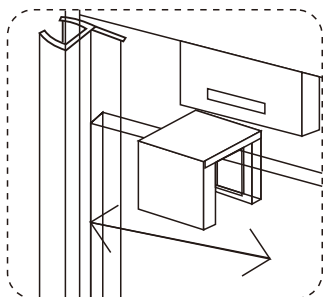
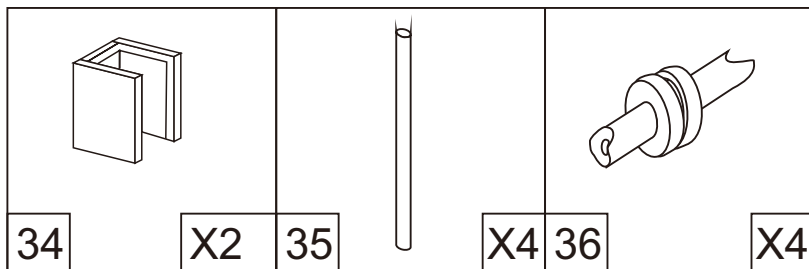








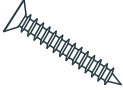
# Etape 13

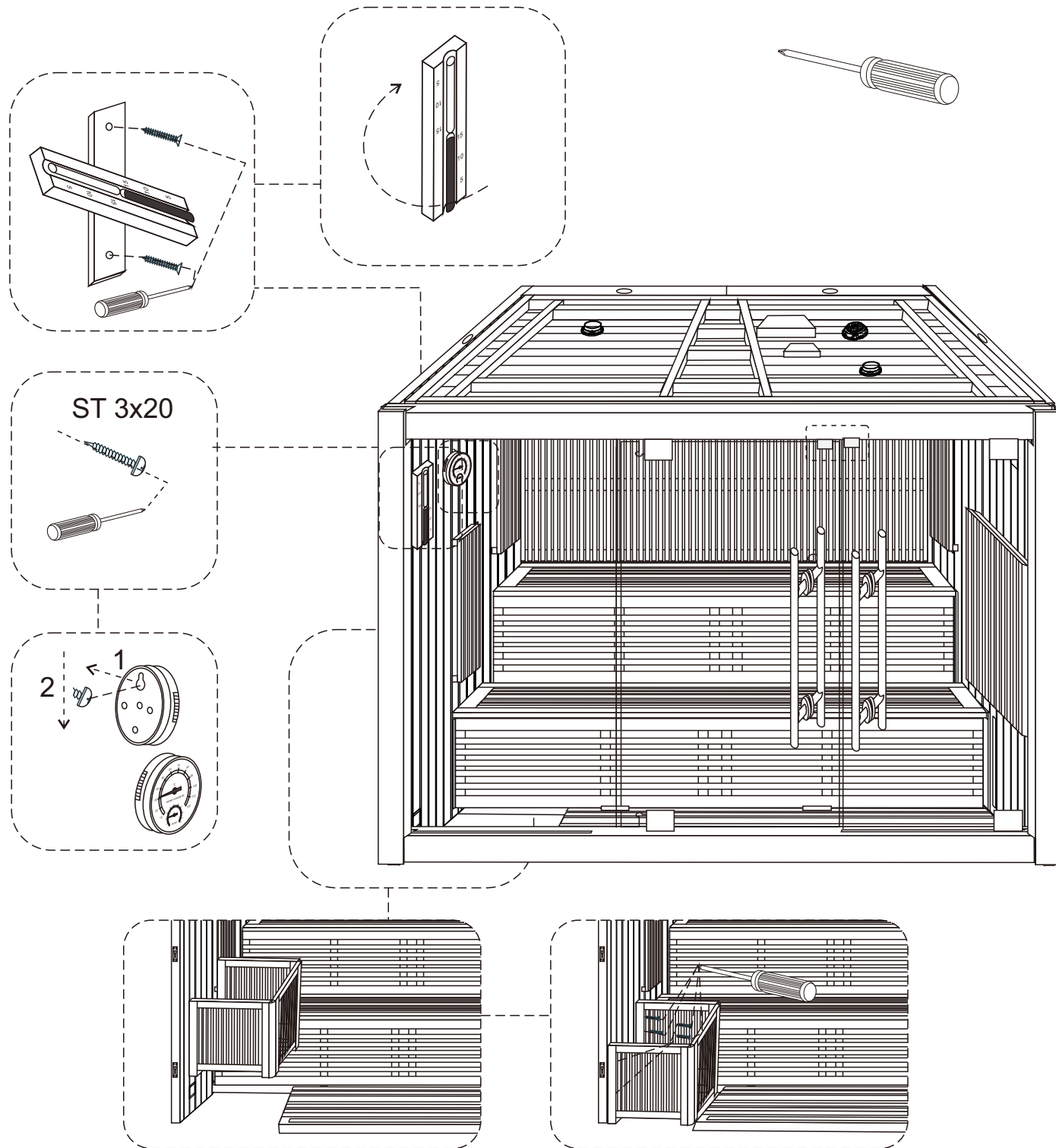


# Etape 14

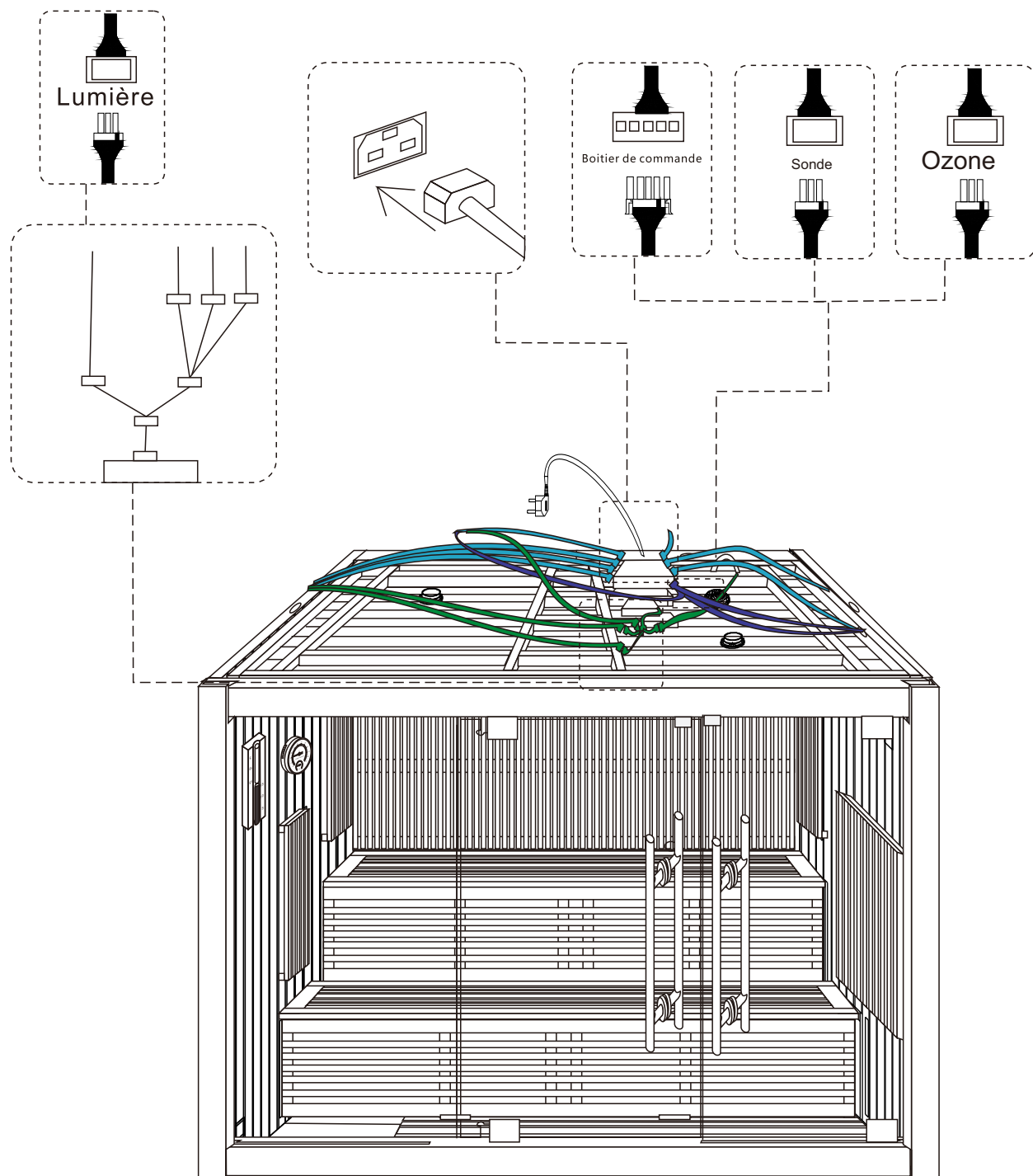


# Etape 15

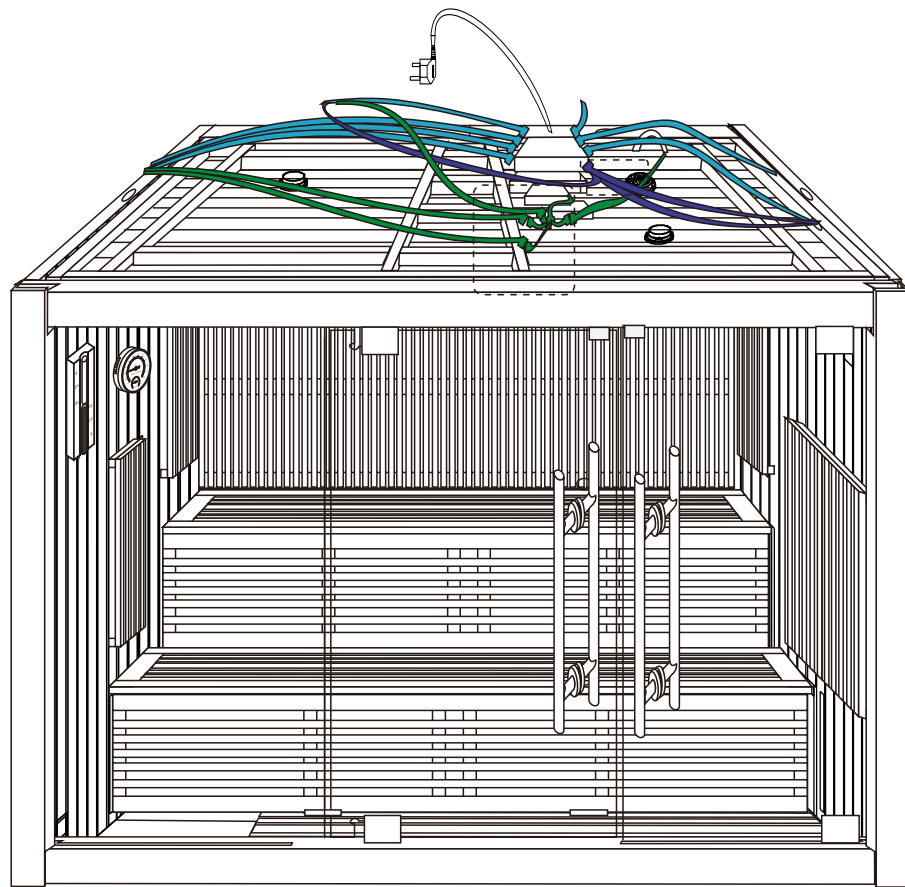
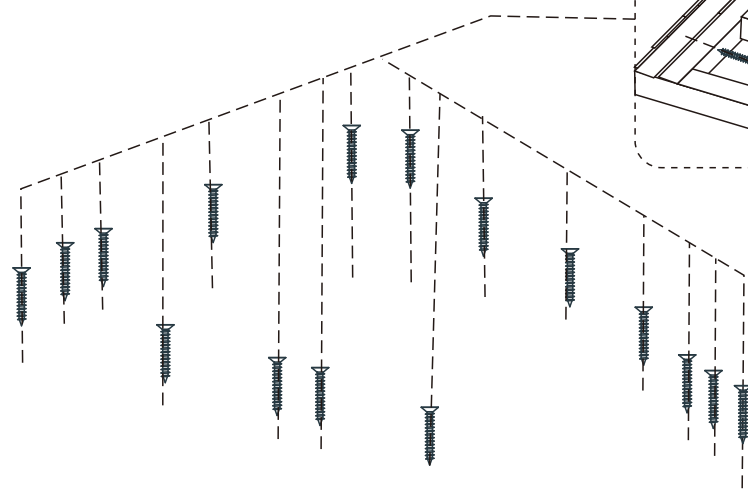
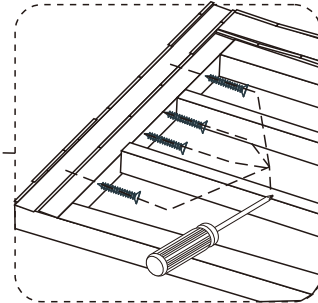
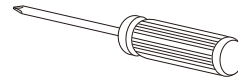
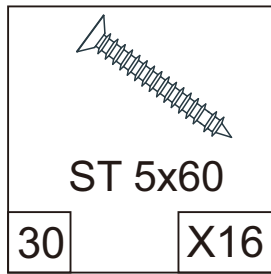
					
37	X1 38	X1 39	X1 40	X1 14	X6






# Etape 16

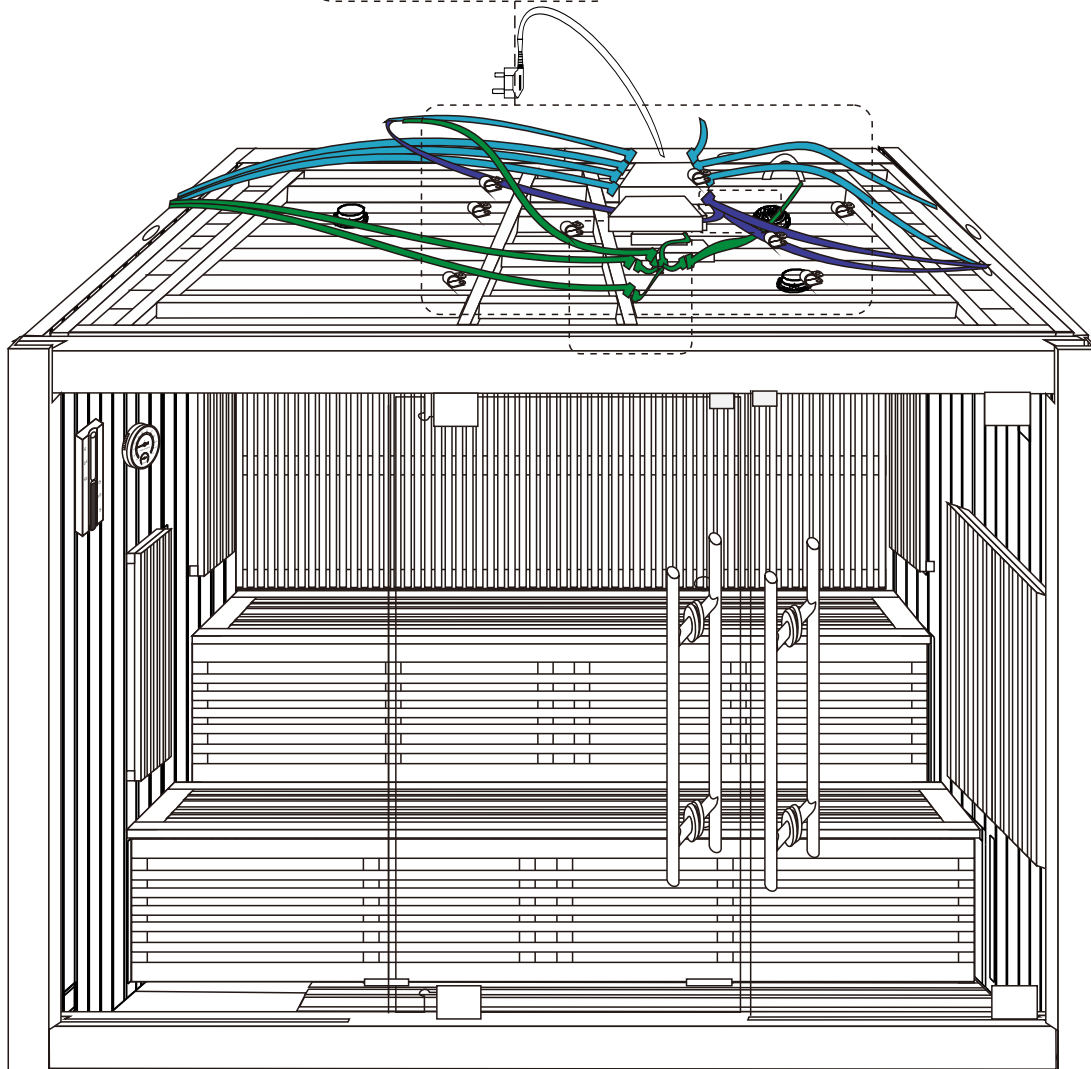
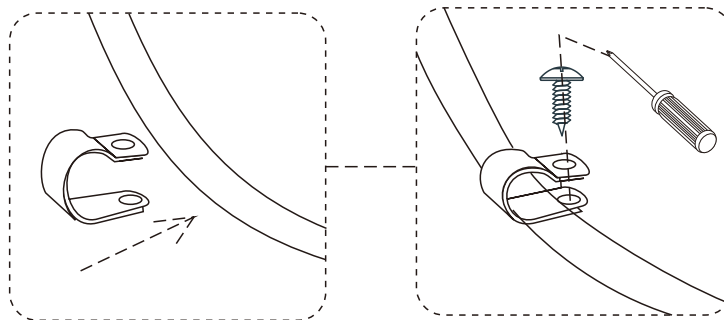


# Etape 17

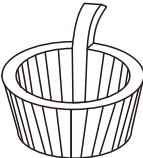

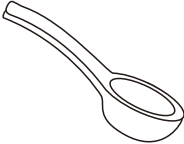


# Etape 18

 ø8	 ø10	 ST 4x12			
41	X10	42	X3	43	X13



# Etape 19

					
44	X1	45	X1	46	X1
47	X1	48	X1		

